

# MT160P

Ultra-compact passive loudspeaker system

**Montarbo**  
Made in Italy



MT160P is a small, light-weight PA speaker system designed for general purpose applications, that's incredibly easy to transport and fast to set-up. For live music applications this high performance loudspeaker system combine the high power and sound pressure of professional systems with the sonic accuracy and precision of hi-fi systems.

At the same time it gives you the fidelity, the dynamics and the versatility you ask to a reference monitor system.

MT160P is the choice for sonic quality and ease of use.

## APPLICATIONS

It's quality and power are astonishing and capable of satisfying even the most demanding users.

Its unequalled versatility makes it ideal for an unlimited range of applications both indoor and outdoor: as mini-PA system for live music, bars, conferences, talk-shows, restaurants, pubs, small auditoriums and venues, places of worship, home studio, gymnasiums, shops and many other situations.

## FEATURES

- Power handling: 90 W into 8 Ohms.
- 117.5 dB max spl.
- 'Programs' selector, on the rear panel, allows to adapt the system response to 3 typical operating conditions.
- 6 ½ full bandwidth unit (with die-cast frame, coaxial double cone and doped cellulose diaphragm), custom designed to Montarbo specifications. Tough, efficient, accurate even at extreme frequencies, with great benefits on long-distance sound projection.
- Passivated, injection molded, plastic cabinet with a sturdy perforated steel protective grill.
- The low-turbulence tuning port, in addition to lending the cabinet a particularly attractive appearance, improves the definition of the low frequency range.
- Equipped with 4 standard M5 inserts, for fast and easy mounting both in touring systems and in fixed installations.
- Multi-angled cabinet design, allowing for either vertical (PA) or horizontal (stage monitor) installation. Two 45° sidewalls: more freedom in placing the system on floor, desktop or other surface.

## ACCESSORIES

- SM2 microphone stand adaptor (optional accessory).



# MT160P

Ultra-compact passive loudspeaker system

**Montarbo**   
Made in Italy



The PROGRAMS selector, on the rear panel, allows to change the system response to suit 3 typical operating conditions:

- FLAT: increases the intelligibility of the speech and it is suggested for those applications where vocal clarity is most important (conferences);
- VOICE: is best suited for live music/voice reinforcement.

Suggested applications include pubs, live music with singers;

- MUSIC: is most suitable for the reproduction of low or high level recorded music in fixed installations (hotels, restaurants etc..).

## TECHNICAL SPECIFICATIONS

Enclosure	vented, low turbulence port
Frequency response	70 Hz ÷ 19,5 kHz ±2dB
Sensitivity	101 dB SPL @ 1W/1m on axis
Max. SPL	117,5 dB SPL
Power handling	90 W
Nominal impedance	8 Ohms

- Components: custom designed  
6" 1/2 full bandwidth unit with diecast frame, coaxial double cone, doped cellulose diaphragm

- Connectors: jack sockets (dual, parallel connected)  
insulated, colour coded binding posts

- Controls: 'programs' selector

## PHYSICAL SPECIFICATIONS

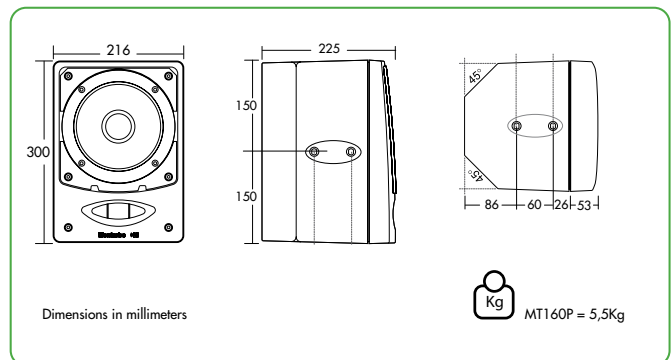
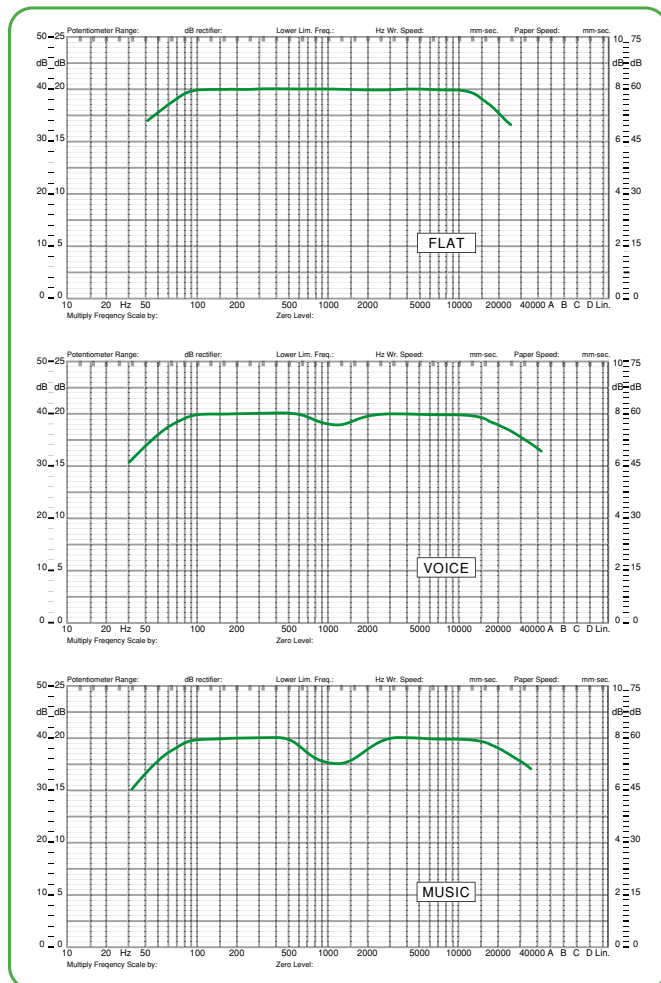
- Construction: multi-angled cabinet;  
injection moulded passivated plastic;  
perforated steel protection grille

- Fittings: 4 x M5 threaded inserts

- Dimensions / Weight: W 21.6 x H 30 x D 22.5 cm / 5.5 kg

## ACCESSORIES

- SM2: Microphone stand adaptor (optional accessory)



MUSIC - DATA SHEET