

# WS18X

1000 watt vented sub-bass system

## features

- ▶ Direct radiating, long excursion 18" (460mm) driver
- ▶ High temperature 4" (100mm) voice coil
- ▶ High power 132dB continuous, 138dB peak
- ▶ Fitted with integral handles and castors

## applications

- ▶ Theatre sound systems
- ▶ Small to medium touring systems
- ▶ Club sound reinforcement
- ▶ Special effects sub-bass

The WS18X is a high performance sub-bass system designed for use with small to medium Wavefront systems, in both touring and install applications. It features a 1000 watt 18" (460mm) drive unit with magnet structure and suspension engineered for maximum linear excursion. The birch ply cabinet is fitted with four pocket handles and four 4" (100mm) castors for easy deployment. It features large area porting to reduce air noise. A top hat fitting allows mid-top cabinets to be mounted on the WS18X using the HAM09015 adjustable pole. WS18X subwoofers are designed to be powered by Martin Audio MA12K or MA9.6K amplifiers.

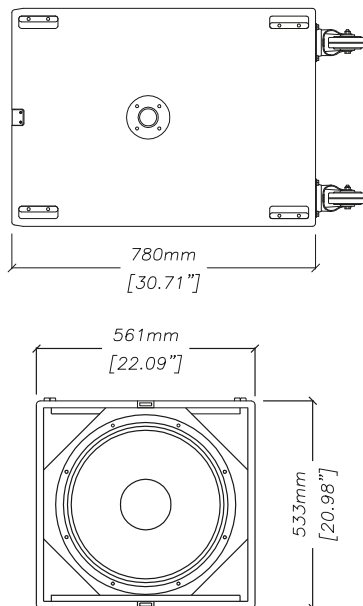


touring and theatre

## technical specifications

TYPE	Compact, vented sub-bass system
FREQUENCY RESPONSE (1)	35Hz-150Hz ± 3dB, -10dB @ 28Hz
DRIVER	18" (460mm)/4" (100mm) voice coil, ultra-long excursion, water resistant cone
RATED POWER (2)	1000W AES, 4000W peak
RECOMMENDED AMPLIFIER	MA12K
SENSITIVITY (3)	102dB (half space)
MAXIMUM SPL (calculated @ 1m)	132dB continuous, 138dB peak (half space)
NOMINAL IMPEDANCE	8 ohms
CROSSOVER	80Hz-150Hz, via DX1.5 or DX2 controller
ENCLOSURE	160 litre, multi-laminate birch ply
FINISH	Textured black paint
PROTECTIVE GRILLE	Black perforated steel
CONNECTORS	2 x Neutrik NL8
PIN CONNECTIONS	LF+, -: 1+, 1- & 2+, 2- Link thro': 3+, 3-, 4+, 4-
FITTINGS	4 x 4" (100mm) castors 4 x pocket handles 2 x front lid fittings 1 x mounting pole socket
DIMENSIONS (inc. wheels)	(W) 561mm x (H) 533mm x (D) 780mm (911mm) (W) 22.1ins x (H) 21ins x (D) 30.7ins (35.9ins)
WEIGHT	52.5kg (116lbs)

## overall dimensions



Century Point, Halifax Road, Cressex Business Park,  
High Wycombe, Buckinghamshire HP12 3SL, England.  
Telephone: +44 (0)1494 535312 Facsimile: +44 (0)1494 438669  
E-mail: [info@martin-audio.com](mailto:info@martin-audio.com)  
All information is Copyright © 2011 Martin Audio Ltd.



[www.martin-audio.com](http://www.martin-audio.com)