



SB18

COMPACT HIGH POWER SUBWOOFER

DESCRIPTION

The SB18 is the universal subwoofer designed for modular WST® line sources and coaxial systems, lowering the combined system operating range down to 32 Hz. Its compact size and integrated rigging make it extremely well suited for flown coupled configurations with KARA®, allowing flat to reinforced contour applications.

The association of a specifically designed 18" transducer with a dual bass-reflex tuned enclosure provides exceptional impact and high sensitivity factor, low thermal compression and reduced distortion. The vents feature a progressive profile allowing laminar airflow and reduced turbulence noise even at the very highest operating levels. These combined properties contribute to the sonic qualities of the SB18 in terms of precision and musicality.

The control and amplification of the SB18 is managed by either the LA4 or LA8 (LA-RAK) platform. The onboard DSP filtering encompasses advanced crossover functions, system EQ, and dual thermal and over-excursion protection of the transducer. The L-ACOUSTICS® amplified controllers offer the following drive modes:

- The "standard" mode using SB18 as a companion to KARA®, KIVA, ARCS® and featuring a low-pass filter at 60 Hz ([SB18_60] preset) or as a companion to KARA®, KIVA, ARCS® and XT with a low-pass filter at 100 Hz ([SB18_100] preset).
- The "cardioid" mode using SB18 as a companion to KARA®, KIVA, ARCS® and featuring a low-pass filter at 60 Hz ([SB18_60_C] preset) or a companion to KARA®, KIVA, ARCS® and XT with a low-pass filter at 100 Hz ([SB18_100_C] preset)

The performance of the SB18 enclosure depends upon the choice of preset and physical system configuration. Made of high grade Baltic birch plywood, the cabinet also features a pole mount socket for use with XT or two KIVA enclosures.



CHARACTERISTICS

Low frequency limit (-10dB)

32 Hz ([SB18_100] preset)

Maximum SPL¹

135 dB ([SB18_100] preset)

Long term RMS handling capacity

700 W

Components

LF: 1 x 18" weather-resistant,
(4" coil, aluminium die-cast basket, vented magnet design)
Nominal impedance: 8 ohms

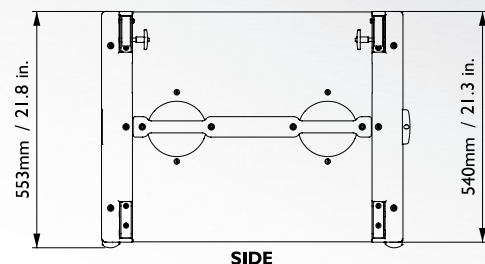
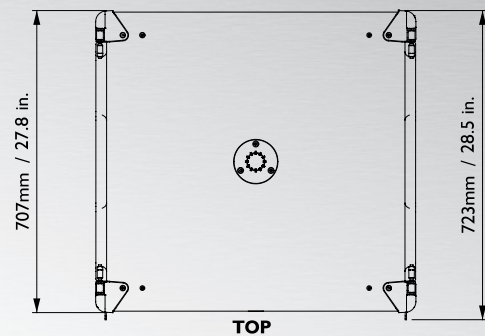
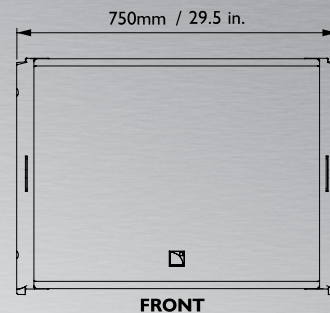
Rigging²

Steel, certified for: 16 SB18

Physical data

W x H x D: 750 x 540 x 707 mm 29.5 x 21.3 x 27.8 in
Weight (net): 52 kg 114.5 lbs
Connectors: 2 x 4-point Speakon®
Material: baltic birch plywood
Finish: Grey-brown, RAL 8019®
Front: polyester powder-coated steel grill,
airmet® acoustically neutral fabric
Rigging: pole-mount socket, integrated rigging for flying, stacking
runners (steel with dual coating zinc and polyester powder)

¹ Peak level measured at 1m under half-space conditions using 10 dB crest factor pink noise with specified preset and corresponding EQ settings.
² Installation guidelines are specified in the SOUNDVISION software designed to help with L-ACOUSTICS® product implementation.



SB18_SP_EN_1.003-10