

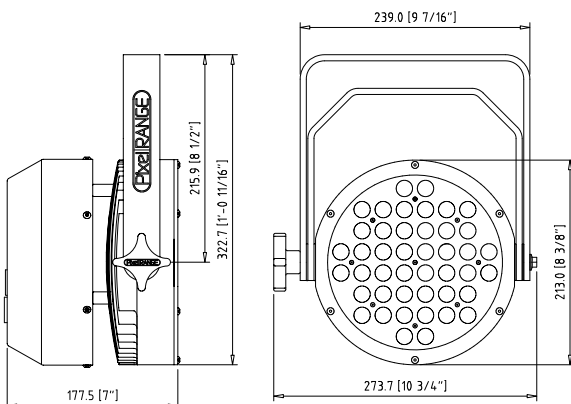
PixelPar 44 [RGBW]



MADE IN USA



Intertek



Features

- 44 high intensity red, green, blue and white (cool) Cree emitters
- RGBW provides up to 4500 lumens at source
- Lumen maintenance 50,000+ L70 @ 50°C (full output)
- Lens options 10° standard (5,10,20,39,44x11 available)
- Choice of dimmer curves (tungsten, TV or Fine) tungsten dimmer curve emulates dimming of a tungsten lamp
- Highest color/flux binning

Preset Programming

- Onboard digital micro-processor accessible via user interface that provide access to 2 sets of 31 internal effects, each with the ability to vary the speed, intensity and cross fade for each effect
- High frequency strobing up to 28 frames per second (variable up to 10min)
- Programmable offset for synchronizing effects over multiple fixtures
- Provides an alternative projection medium for video manipulation software

Control

- Selectable dimming curve option including a new smooth dimmer curve that emulates dimming of a tungsten lamp
- 4 digit alpha-numeric display indicates fixture address and other menu functions
- Features real time readout display
- DMX 512 input and output via 5pin XLR connectors
- Selectable DMX address
- Uses 3 to 13 control channels
- Master / slave capabilities
- Master intensity controlled via DMX input or adjusted in stand alone mode
- 6 operational modes (DMX, Manual, EF-D, EF-M, 4+E, 16 Bit
- Default factory reset (simple 2 button reset)
- Self test function

Diagnostics

- LEDs on user interface provide status of DMX reception and master and slave modes

Cooling

- Proprietary patent pending heat management system, based around a substantial heatsink construction
- Internal quiet fan cooling system

Construction

- Extremely robust housing suitable for touring, permanent and temporary applications

Mounting

- The PixelPar44 is supplied with two yokes, this enables the unit to safely stand on its own in temporary floor mounted placements. There are 1/2" clearance holes in the yokes which enable the fitting of a clamp of sorts
- The tilt can be adjusted by loosening the handwheel on the yoke, adjusting to the desired setting, then re-tightening the handwheel

Finish

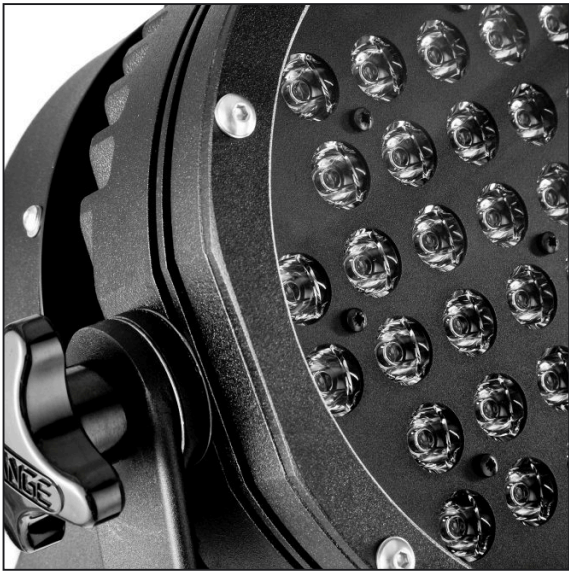
- Power Coated Black as standard (other colors to order at an additional cost)

Weight & Dimensions

- With yoke 15lbs (6.8kg)
- Without yoke 15lbs (6.8kg)
- 6.8" (173mm) length x 10.7" (273mm) width x 12.6" (322mm) height

Electrical

- Auto ranging 100-240VAC Power supply 50-60 Hz
- Power via a power con 20A connector, power can be daisy chained (15 units max on a single 20A circuit)
- Data via 5 pin XLR chassis mounted connectors, data can be daisy chained



PixelPar 44 [RGBW]

Power Consumption

- Low power consumption (96 watts at full intensity) virtually no heat generated

Certifications

- Certifications – ETL & CE
- Environment - Damp / Dry locations only (IP20)
- Licensed – Philips

Warranty

- 2 year limited warranty

ACCESSORIES

- 10° Light Shaping Diffusion kit- [PA44LSD10]
- 20° Light Shaping Diffusion kit- [PA44LSD20]
- 30° Light Shaping Diffusion kit- [PA44LSD30]
- 40° Light Shaping Diffusion kit- [PA44LSD40]
- 60°x1 linear Light Shaping Diffusion kit- [PA44LSD 60X1]
- Barn door holder – [PA44-BDH]
- Barn Door - STD Par 56
- Egg Crate Louvre- [PA44ECL]
- Power cable, power con to Edison [PC1M-A-ED]
- Power cable, Jumper, power con type A to B [PCJ-1M-A-B]
- Data jumper cables, 5pin XLR male to female [DMX 5PIN 5' CABLE]



PART CODES

PRODUCT	MODEL	LED CONFIG	OPTIC	FINISH
PA	44	RGBW	10	BK
			5	WH
			20	CU
			39	
			44X11	

CLIENT:	
PROJECT NAME:	
ORDER #	
TYPE:	QTY:

